

Creo Parametric Part Lessons 13-22: Your Journey to Advanced Part Modeling



Creo Parametric 5.0 Part 2 (Lessons 13-22)

★★★★★ 5 out of 5

Language : English
File size : 66315 KB
Text-to-Speech : Enabled
Enhanced typesetting : Enabled
Print length : 276 pages
Screen Reader : Supported



Embark on an enriching learning journey with Creo Parametric Part Lessons 13-22, a meticulously crafted guide that unlocks the secrets of advanced part modeling. This comprehensive resource empowers you to master complex design techniques and elevate your product development capabilities.

Whether you're an experienced Creo Parametric user or a novice eager to delve into advanced part modeling, this book is your indispensable companion. With its step-by-step instructions, detailed illustrations, and real-world examples, you'll gain a thorough understanding of advanced part creation and manipulation techniques.

Unveiling the Treasures of Creo Parametric

Creo Parametric is an industry-leading 3D CAD software renowned for its robust capabilities and user-friendly interface. Lessons 13-22 delve into the

advanced features of Creo Parametric, enabling you to:

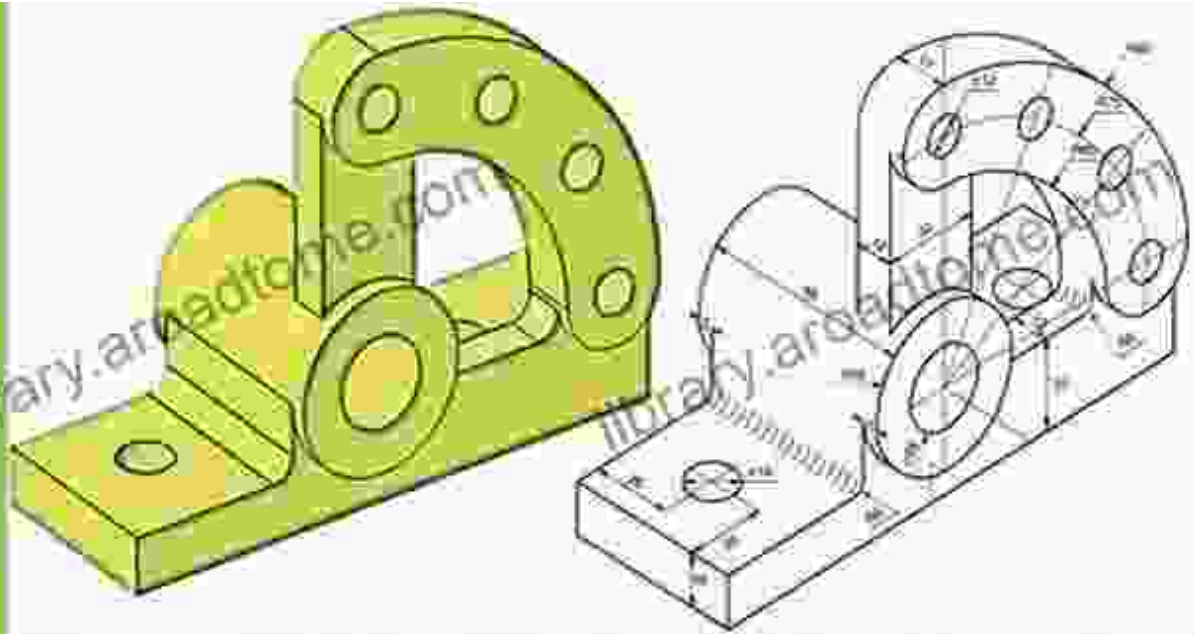
- Create complex parts with precision and efficiency
- Master advanced modeling techniques for intricate designs
- Gain proficiency in feature-based modeling for flexible and efficient design
- Utilize advanced surfacing techniques to create smooth and aesthetically pleasing shapes
- Enhance your understanding of assembly modeling for complex product design

A Detailed Exploration of Lessons 13-22

This book covers a wide range of advanced part modeling topics, providing a structured and progressive learning experience. Each lesson builds upon the previous ones, ensuring a comprehensive understanding of the concepts.

Lesson 13: Advanced Sketching Techniques

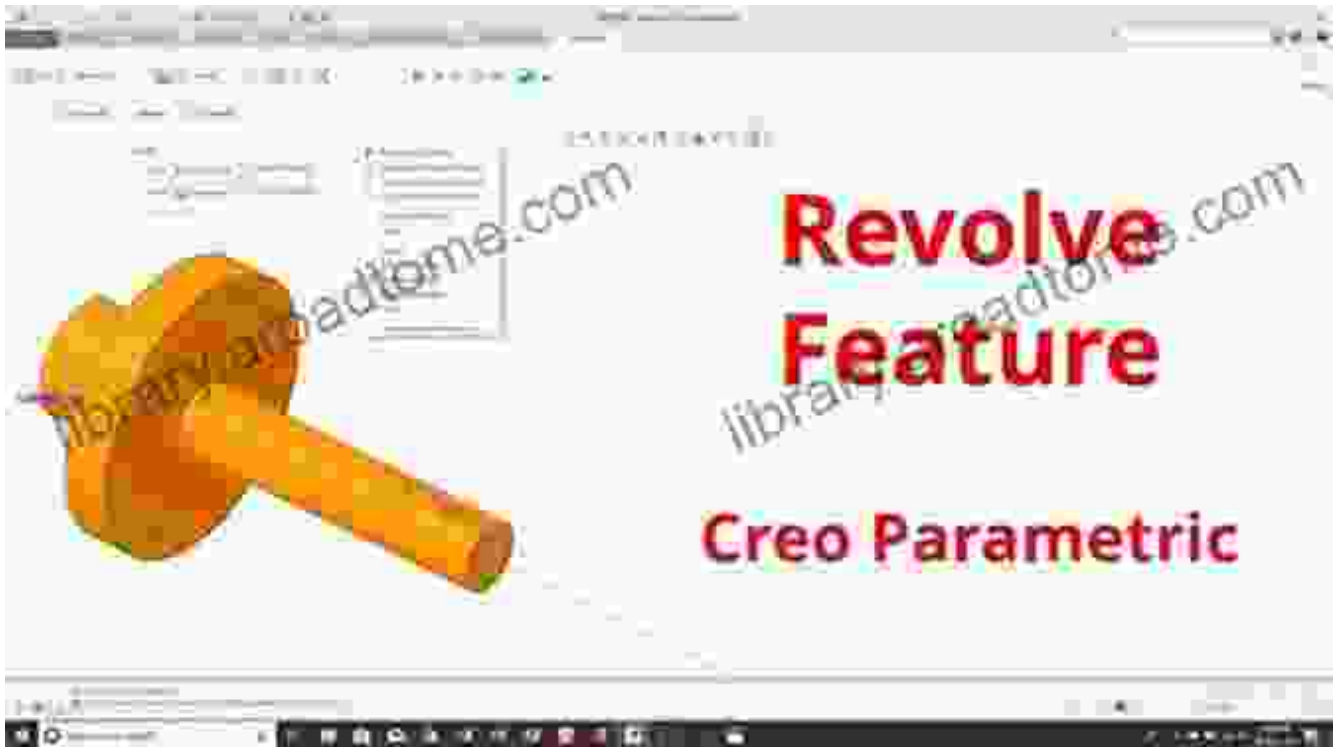
Creo 5.0



Absolute beginners 2D to 3D Exercise

Master advanced sketching techniques to create complex 2D sketches that form the foundation of your 3D models.

Lesson 14: Advanced Extrude and Revolve



Explore advanced extrude and revolve commands to create intricate 3D shapes from 2D sketches.

Lesson 15: Advanced Hole Features



Learn to create various types of advanced holes, including counterbores, countersinks, and tapped holes.

Lesson 16: Advanced Patterns



Master advanced patterning techniques to create complex and repetitive patterns in your designs.

Lesson 17: Advanced Sweeps



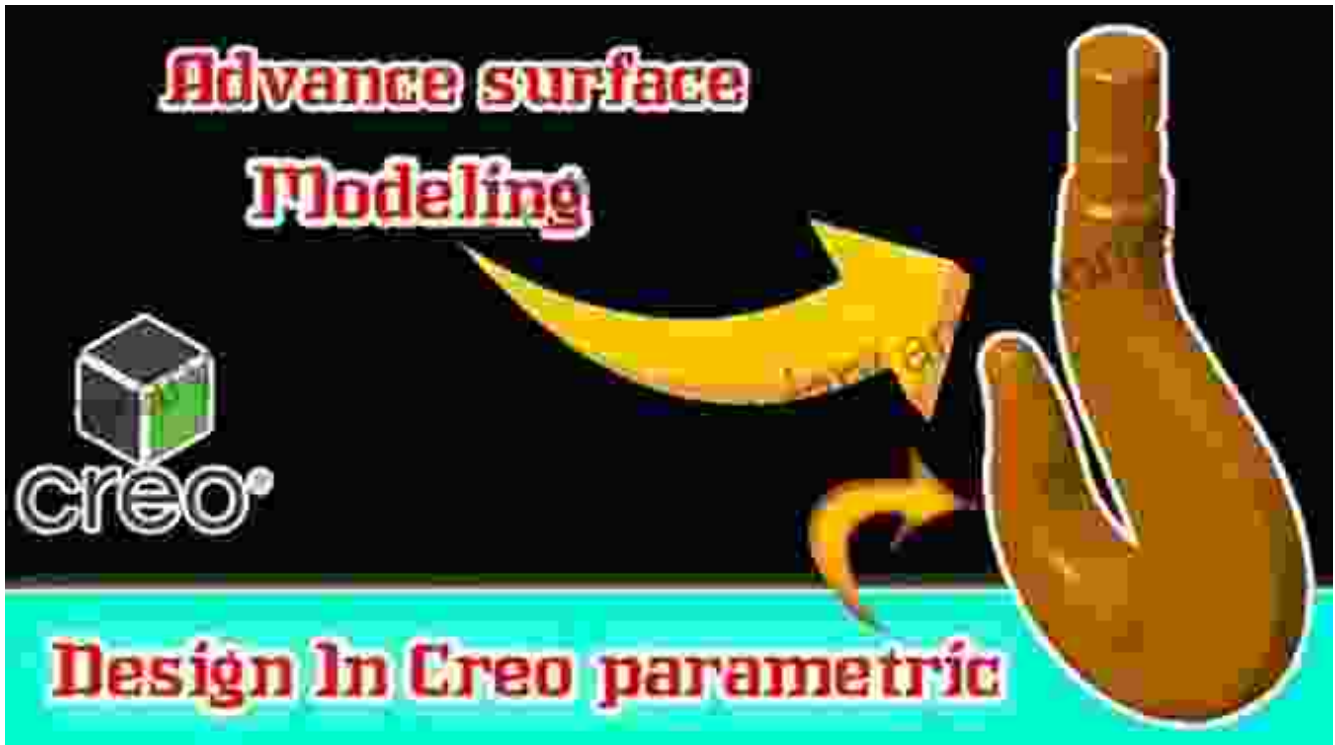
Explore advanced sweep techniques to create complex 3D shapes by sweeping 2D profiles along paths.

Lesson 18: Advanced Blends and Chamfers



Learn to create smooth transitions and chamfered edges using advanced blending and chamfering techniques.

Lesson 19: Advanced Surfacing Techniques



Unlock the power of advanced surfacing techniques to create smooth and aesthetically pleasing shapes.

Lesson 20: Advanced Assembly Modeling



Gain proficiency in assembly modeling techniques to create complex assemblies and manage large design projects.

Lesson 21: Advanced Feature Manipulation



Master advanced feature manipulation techniques to modify and edit existing features in your designs.

Lesson 22: Advanced Dimensioning and Tolerancing



Learn to apply advanced dimensioning and tolerancing techniques to ensure accurate and precise designs.

Benefits of Creo Parametric Part Lessons 13-22

By investing in Creo Parametric Part Lessons 13-22, you're not only enhancing your Creo Parametric skills but also unlocking a wealth of benefits that will propel your design career forward.

- **Advanced Part Modeling Mastery:** Gain a comprehensive understanding of advanced part modeling techniques, empowering you to create complex and innovative designs.
- **Increased Productivity:** Master efficient and effective modeling techniques, saving time and effort in your design process.

- **Enhanced Design Quality:** Create high-quality parts with precision and accuracy, ensuring optimal performance and functionality.
- **Career Advancement:** Differentiate yourself with advanced Creo Parametric skills, making you a highly sought-after candidate in the competitive job market.
- **Personal Fulfillment:** Experience the satisfaction of creating intricate designs and solving complex modeling challenges.

Creo Parametric Part Lessons 13-22 is an invaluable resource for anyone who wants to master advanced part modeling techniques in Creo Parametric. With its detailed explanations, practical examples, and step-by-step instructions, this book will guide you on a transformative learning journey.

Invest in your design skills and unlock the full potential of Creo Parametric. Free Download your copy of Creo Parametric Part Lessons 13-22 today and embark on a journey of advanced part modeling mastery.



Creo Parametric 5.0 Part 2 (Lessons 13-22)

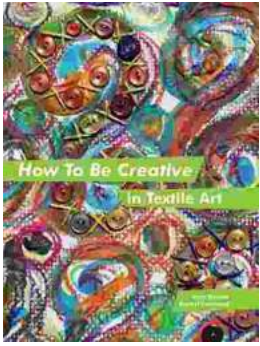
★★★★★ 5 out of 5

Language	: English
File size	: 66315 KB
Text-to-Speech	: Enabled
Enhanced typesetting	: Enabled
Print length	: 276 pages
Screen Reader	: Supported

FREE

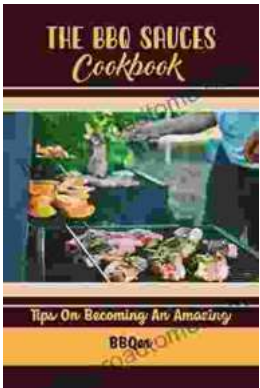
DOWNLOAD E-BOOK





How to Be Creative in Textile Art: A Comprehensive Guide for Beginners and Experienced Artists

Textile art is a versatile and expressive medium that offers endless possibilities for creativity. Whether you're new to textile art or an...



Master the Art of Grilling with "The BBQ Sauces Cookbook"

Are you tired of the same old boring BBQ sauces? Do you crave something new and exciting to tantalize your taste buds at your next backyard grilling party? If...